

correction

Changes to printed copy are highlighted below.

ottoman



materials

2m of 'Bamboo' upholstery fabric in black

40cm foam block

thread to match

1.35m continuous zip with 1 zip head

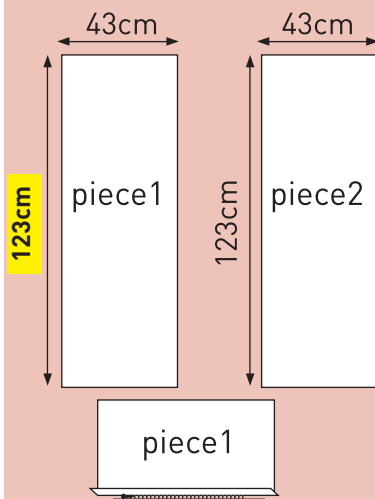
conversions 2.5cm = 1"

multiply cm value by 0.4 to get inches
multiply inch value by 2.5 to get cm

1

1.5cm seam allowance is used throughout.

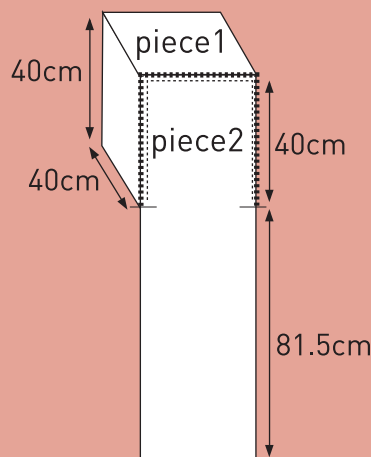
Cut 2 lengths of fabric 43cm x 123cm. Take one piece of fabric and fold the 132cm length over 1.5cm. Press and then pin on the zip. Stitch in place using the zipper foot of your sewing machine.



2

Join the other side of the zip to piece 2 of fabric. Do this by turning the edges under 1.5cm along the 43cm width and 45cm down both 132cm. Pin in place.

Stitch in place using the zipper foot of your sewing machine.



3

With right sides facing, pin remaining edges to create the cube. Stitch in place using a 1.5cm seam allowance.

Undo zip and turn right side out. Slide over foam cube and zip closed.

