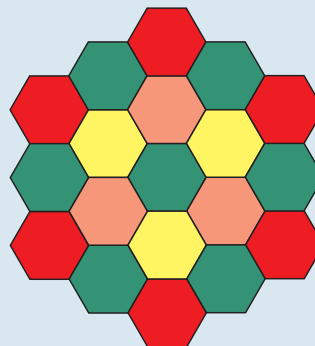
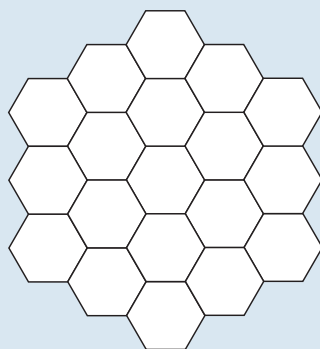
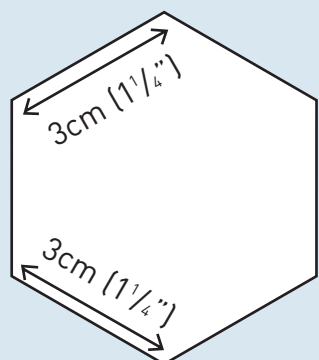


flower garden template & pattern



correction

Draw template to dimensions as shown or enlarge on photocopier to 125%.

Flower Garden – Block no 1

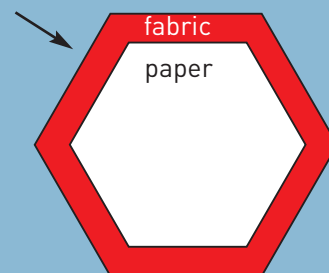
This block is a traditional block using the English paper piecing technique. From the background fabric, cut 33cm (13”) square. Put it aside. Trace the shape of the template from the pattern on to the plastic sheet. Cut out the template with care, paying attention to accuracy. Check the size against the pattern. Cut out 19 templates from paper.



Position the paper template on to the WRONG side of fabric and pin in place.

0.7cm (1/4”) seam allowance

Cut out with 0.7cm (1/4”) seam allowance around all sides. It is best to have more than less of a seam allowance to enable the tacking to be completed with ease.



Tack the fabric around the paper, making sure the paper is not folded. Remember to pay attention to the corners. When you have finished, remove the pins. The patch should lay flat.

tip

For nice, sharp corners hold the fold down with a stitch.